

prima liner™

Features



primaliner™

Smooth Lining for Walls and Ceilings

Immune to Permanent Moisture Damage

Applications:

Internal Drywall (Wet area system, Acoustic system, Fire-rated system) and External Seamless Wall.

A premium quality fibre cement board with square rebated edges for flush jointed walls.

The continuous quest for better value for money and improvement are very common objectives. Now you have the comfort of knowing that the **primaliner™** you have chosen will provide the on-going high performance and durability requirements.

primaliner™ is a high quality, high impact, fire resistant, fibre cement lining board ideal for walls in both domestic and commercial construction.

Product Benefits

- Immune to Permanent Moisture Damage
- High Impact Strength
- Termite Resistant
- Fire Resistant
- Climate-Friendly
- Good Sound Insulation

Material Properties & Composition

Material & Application Specifications

Sizes (mm)	1220mm x 2440mm		
Thickness (mm)	6	9	12
Mass per sheet (kg)	25	37	51
Sound Transmission Loss (dB)	25	28	30

Application Requirements/ Thickness	6mm	9mm	12mm
Ceiling Lining	•	•	•
Wall Lining	•	•	•
Fire-Rated Wall	•	•	•



Properties

Values

Product Composition	<ul style="list-style-type: none"> • Top Grade Cellulose Fibre • Finely Ground Sand • Portland Cement • Water
Nominal Density	EMC=1390kg/m ³
Moisture Movement at EMC	Approximately 7%
Moisture Movement (from EMC to saturated)	0.06%
Thermal Conductivity, k Value	0.20W/mK
Thermal Insulation, R Value	6.0mm - 0.030 m ² K/W 9.0mm - 0.045 m ² K/W
Flexural Strength at EMC	14 MPa Dry 8 MPa Wet
Fire Resistant	Class O (BS 476: Part 6 and BS 476: Part 7)

Note: Where values are stated at EMC, the Ambient Temperature is 27° C ± 2° C and Relative Humidity is between 65% - 95%.

Framing Requirement

Framing & Fixing Specifications

Support Framing Centre Distance (mm)

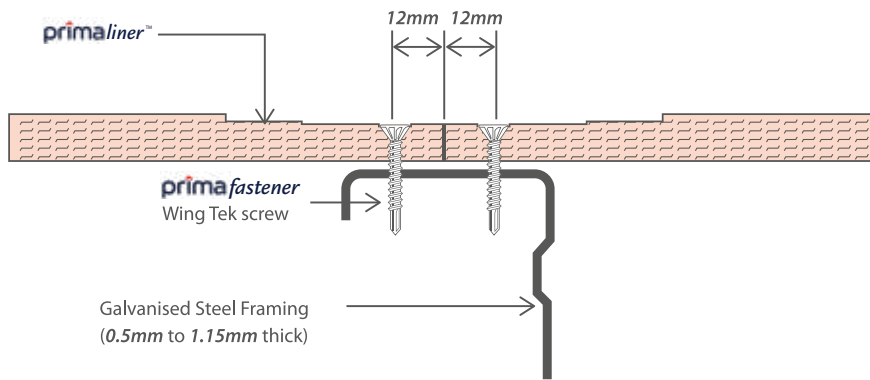
Stud/ joist spacing	610mm maximum
Nogging spacing	1220mm maximum
Support face width:	50mm minimum (timber) 36mm minimum (steel)

The table stipulates the minimum framing requirement. It is a good building practice to provide equal support spacing not exceeding the recommended centre distance to suit the sheet size. In all cases sheet edges must be supported.

Timber framing should be thoroughly selected and dried to minimize shrinkage when boards are installed. Steel frame thickness should be 0.50mm base metal thickness (BMT) to 1.1 5mm BMT.

**** Please refer to Saint-Gobain Prima technical department for further detail.**

Fixing Details



Fastener Fixing Detail Figure

Table 2: Fastener Fixing Distance

Fastener Fixing Distance For Untiled Wall	Fastener Fixing Distance For Tiled Wall & Fire Rated Wall
12mm minimum from edges	12mm minimum from edges
50mm minimum from corners	50mm minimum from corners
200mm centres spacing along edges	200mm centres spacing along edges
300mm centres spacing elsewhere	200mm centres spacing elsewhere

Note:

1. Screw fixing is only suitable for 6mm thick board and above.
2. Screw head must be embedded 0.5mm below board surface.
3. Nails and screw must be suitable coated for the intended applications

All nails shall comply with 'AS 2334: 1980 - STEEL NAILS - METRIC SERIES' or equivalent standard.

All screws shall comply with 'AS 3566: 1988; SCREWS - SELF DRILLING - FOR THE BUILDING AND CONSTRUCTION INDUSTRIES' or equivalent standard.



Flush Joint Wall Applications

Framing & Fixing Specifications

prima^{liner}™ sheets must be fixed horizontally (Figure L1) or vertically (Figure L2), ensuring the vertical sheet joint on one side of the stud does not coincide with the vertical sheet joint on the other side to further enhance the stability of the wall.

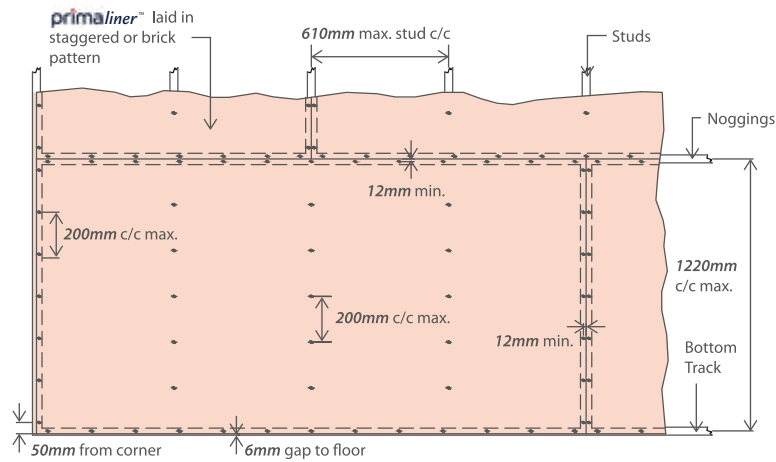


Figure L1 - Horizontal Sheet Fixing

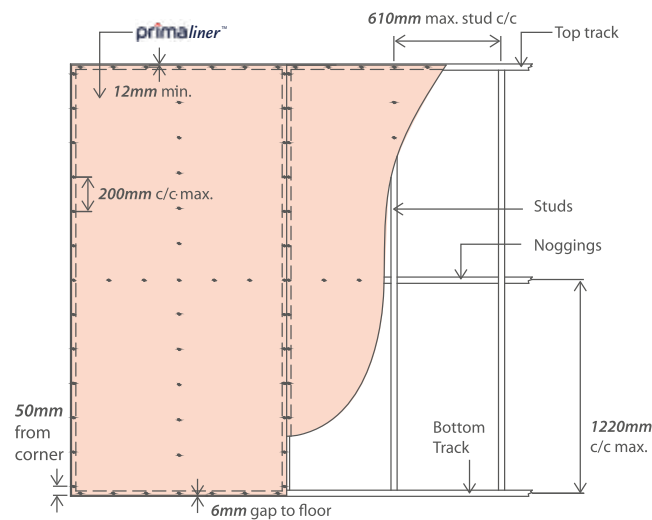
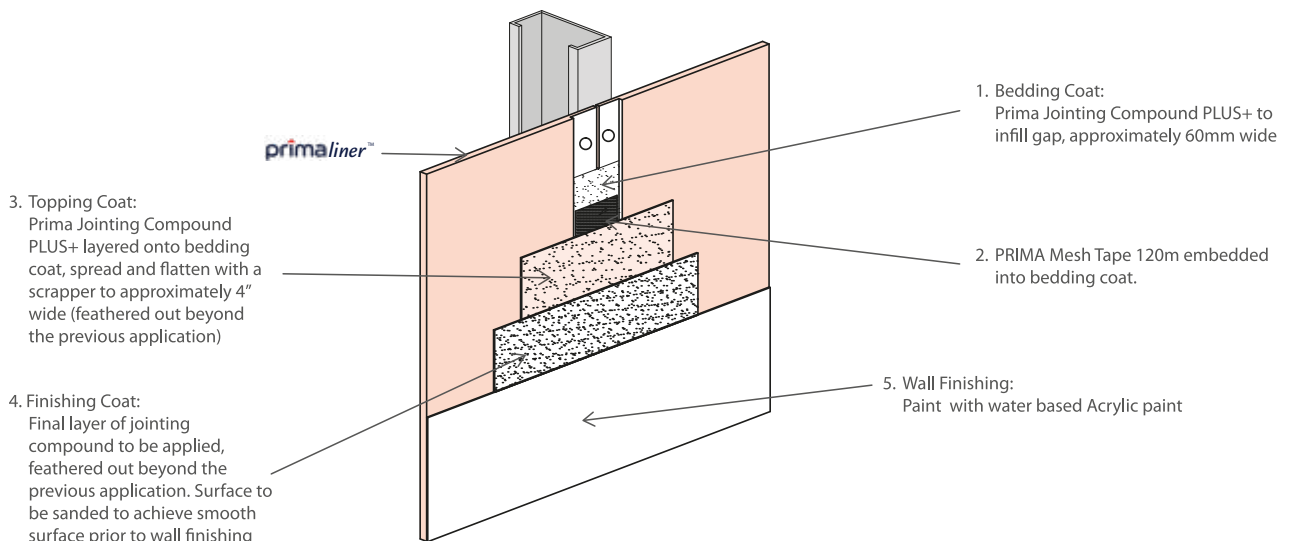


Figure L2 - Vertical Sheet Fixing

Note: prima^{liner}™ sheets must be fixed with a clearance gap of 6mm from ground floor surface.

Figure L1 & L2 are typical configuration for standard wall height up to 3m.

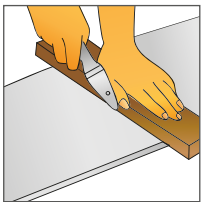




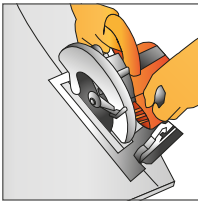
Handling & Finishing

Cutting

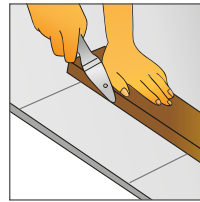
prima liner™ sheets can be cut using common power assisted tools such as circular saw equipped with a diamond-tipped cutting blade. This operation must be carried out in a well-ventilated area only. Do not wet the sheet or the saw blade during cutting process. Power tools fitted with dust-extracting attachments are recommended. A dust mask and safety goggle must always be worn when cutting, drilling or grinding the sheet.



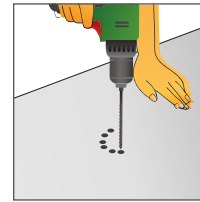
Score & Snap



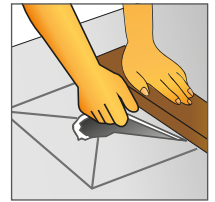
Saw Cut



Notching



Forming Round Hole



Forming Rectangular Hole

Penetrations

Round holes can be formed by drilling a series of smaller holes around the perimeter of the proposed opening, and subsequently tapping the waste piece out carefully. Trim the rough edges with rasp if required. Use suitable high-speed heavy duty drill bit. Rectangular or square openings can be achieved by using power assisted circular saw.

Handling & Storage

Always lift sheets vertically, on-edge and lengthwise. Store **prima liner™** neatly on a flat surface supported evenly on bearers spaced at **600mm** centres maximum, clear from ground to avoid damage and moisture ingress. Store under cover and ensure **prima liner™** is dry prior to fixing. Never install damp or wet sheets as they are prone to shrinkage and subsequently may lead to joint failure. Damp or wet sheets must be allowed to dry to equilibrium moisture content before fixing.



Finishing

prima liner™ can be decorated with 2 coats of 100% quality water-based acrylic paint. For general-purpose applications, there is no requirement for primers or sealers. Please refer to paint manufacturer for advice.

Alternatively, the sheet surface can be decorated with wall covering materials, such as wall paper. In all cases, coating manufacturer's recommendations must be strictly adhered to. For wet area application, tile finishing may be preferable.



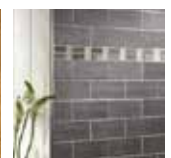
Paint



Wall Covering



Texture Coating



Tiles

Accessories

primafastener - specially designed to work with Prima fibre cement boards. Comes in packing of 1000pcs per box.

primafastener - Wing Tek 25mm
Self-embedding head screw



Applications:
4.5mm - 9.0mm board thickness

primafastener - Wing Tek 35mm
Self-embedding head screw



Applications:
12.0mm - 20.0mm board thickness



All **primaliner™** products come with a solid 3-year warranty on any defects or irregularities in its products.



Termite Resistant



Fire Resistant



Water Resistant



Weather Resistant



100% Asbestos free



Superior Paint Adhesion



High Workability



Aesthetically Pleasing



50 Years Durability

For more information, please contact us at:



SAINT-GOBAIN PRIMA SDN BHD (S79898-W)
Level 19, Tower 5, Avenue 7 The Horizon,
Bangsar South City, No. 8, Jalan Kerinchi,
59200 Kuala Lumpur, Malaysia

General Line 1: +603 7781 1977 | General Line 2: +6012 781 1797

www.primafibreceement.com | www.saint-gobain.my

[f](#) [in](#) [v](#) [p](#) [t](#) [@](#) saintgobainprima