

International

PRIMA *flex*TM

Features



PRIMAflex™

Smooth & Flat Sheet

Cladding, Ceiling and Eaves Lining Boards

PRIMAflex™ is the first choice in flat sheets among industry professionals for ceilings, partitions, gable ends, wall cladding, paneling, and a host of other building applications. **PRIMAflex™** has a unique combination of physical and mechanical properties that make it superior to other boards.

PRIMAflex™ is autoclaved for superior durability & flexibility. This process cures the product, giving it outstanding dimensional stability. Quality has never been better with the state-of-the-art technology and ultra modern processes employed in the manufacture of **PRIMAflex™**.

PRIMAflex™ performs exceptionally well when all aspects of good design detailing and workmanship are met. **PRIMAflex™** has demonstrated strong resistance to termite attack based on client Report No. 1844, tested by CSIRO Forest Biosciences.

Product Benefits

- Termite Resistant
- Structurally Strong
- Fire Resistant
- Cost Effective
- Highly Resistant to Decay, Termite and Rodent Attack and Most Chemicals
- Highly Workable, is Easily Scored, Snapped and Cut with Common Working Tools
- Weather Resistant
- Light Weight
- Excellent Workability
- Strong and Durable
- Fungus Resistant
- Low Maintenance
- Impact Resistant
- User Friendly
- Dimensionally Stable
- Smooth, Flat and Uniform Surface
- Excellent Sound Insulation
- Better Heat Insulation

Material Properties & Composition

When **PRIMAflex™** is tested at Equilibrium Moisture Content (EMC) of 7% at temperature of 27°C and relative humidity of 65% to 95%, the typical average values are as follows:

Properties	Values
Nominal Density - Dry - EMC	1300kg/m ³ 1390kg/m ³
Moisture Content at EMC	7%
Moisture Content at Saturation	33%
Thermal Conductivity, k Value (Mean temperature of 41.93°C)	0.24W/mK
Sound Transmission Class* (Estimated based on mass)	4.5mm - 23dB 6.0mm - 25dB 7.5mm - 26dB 9.0mm - 28dB 12.0mm - 30dB
Length & Width Tolerances (full size board of 1220mm x 2440mm)	+0mm, - 2mm of nominal size

*Laboratory test shows that the STC value for 9.0mm **PRIMAflex™** is 30dB

Product Composition

- Top Grade Quality Pulp
- Portland Cement
- Finely Ground Sand
- Water

Fire Resistance

PRIMAflex™ is non-combustible based on test by CSIRO to AS 1530.1 standard. It is eminently suitable where non-combustible materials are required in accordance with C1.12 of the Building Code of Australia.

PRIMAflex™ has been tested in accordance with AS 1530.3; Simultaneous Determination of Ignitability, Flame Propagation, Heat Release and Smoke Release.

- Ignitability Index 0
- Spread of Flame Index 0
- Heat Evolved Index 0
- Smoke Developed Index 0 - 1

PRIMAflex™ also has been tested in accordance with AS/NZS 3837, a method of test for heat and smoke release rates for materials and products using an oxygen consumption calorimeter at 50kW/m² and it has been classified as Group 1 material based on specification A2.4 and C1.10a of the Building Code of Australia.

PRIMAflex™ has also been tested to BS 476, Part 5, 6 and 7 by Warrington Fire Research (UK).

PRIMAflex™ has also been tested to EN 13501-1 with A1 classification for fire performance.
(minimum 9mm thick board with nominal density of 1390 kg/m³)

Mass per sheet (kg)

Thickness (mm)	Length (mm)	Width (mm)				
		450	600	750	900	1200
6.0	1800	-	-	-	-	18.3
	2400	-	-	-	18.3	24.4
	2700	-	-	-	-	27.4
	3000	-	-	-	-	30.5

Note:

- Weight per sheet is shown for sizes available ex stock.
- Other thicknesses and sizes are available upon special order, subject to manufacturing approval.

Framing & Fixing Specifications

Framing Requirement

PRIMAflex™ sheets are suitable for fixing to timber or light gauge steel frames. Construction of framing shall be in accordance with local building practices.

- Stud spacing - 600mm maximum for 6mm sheets and above
- Nogging spacing - 1200mm maximum

Stud and nogging face width:-

- Timber - 45mm minimum
- Steel - 38mm minimum

Where necessary, the face width may be increased by providing trim-packing to the side of the studs and noggings

Refer to PRIMA™ External Cladding Technical Manual for complete installation detail.

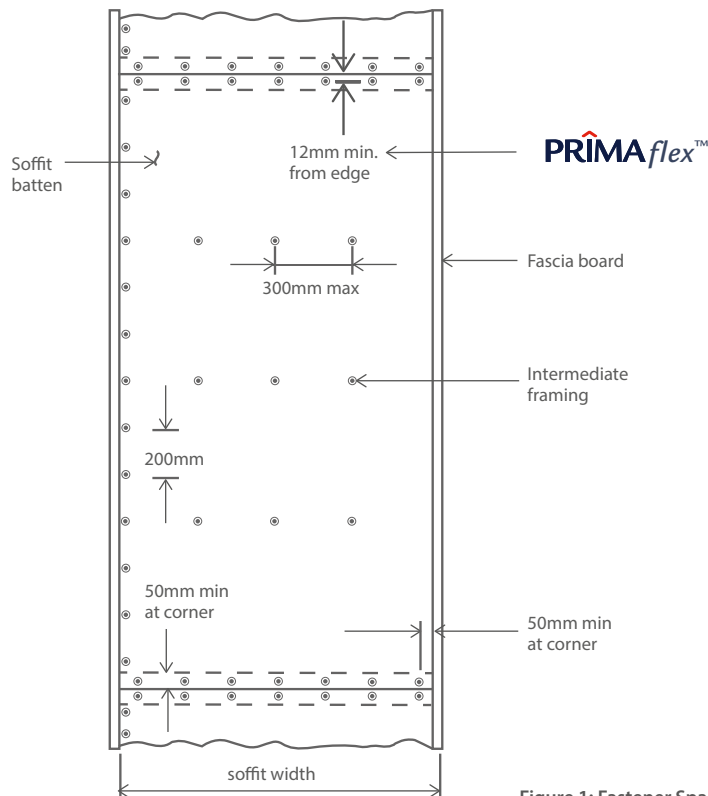
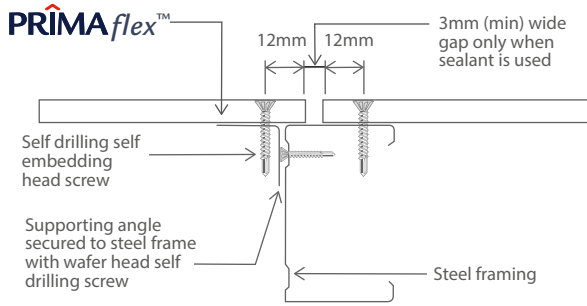


Figure 1: Fastener Spacing and Edge Distance

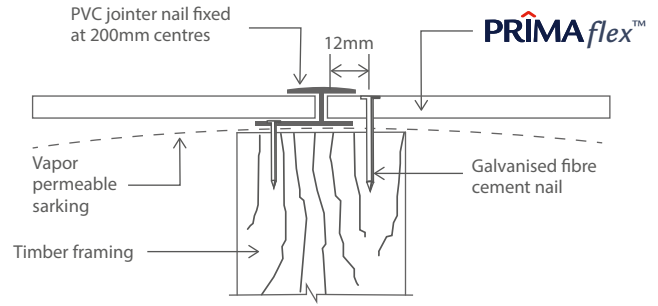
Typical Joint Detail



Note:

1. Self embedding head screws should be used with 6mm thick sheets and above.
2. The 3mm minimum gap is for a sealed joint if required.
3. **PRIMAflex™** sheets are fixed with Locally available standard fibre cement screws and nails.

Typical Detail with Pvc Joint



4. All screws shall comply with 'AS-3566 SELF DRILLING SCREWS FOR THE BUILDING AND CONSTRUCTION INDUSTRIES' or equivalent standard.
5. All nails shall comply with 'AS 2334-STEEL NAILS - METRICS SERIES' or equivalent standard.

Appraisals

(Volume 1 - Class 2 to Class g Buildings)

PRIMAflex™ Cladding Eaves Lining Boards have been appraised by CSIRO in meeting the requirements of Clauses CP4, FP1.4, P2.2.2 and P2.3.1 of the Building Code of Australia 2006.

(Volume 2 - Class 1 and Class 10 Buildings Housing Provisions)

OPUS International Consultants Limited, New Zealand has determined the compliance of **PRIMAflex™** boards to AS/NZS 2g08.2. Cellulose-cement products, Part 2 - Flat Sheets.

AS/NZS
2908.2

ASTM
C1186

Fire Resistance
AS 1530.3

Termite Resistance -
tested by CSIRO



CERTIFIED TO ISO 9001:2008
CERT. NO. : AR0430



CERTIFIED TO ISO 14001:2004
CERT. NO. : ER0642



Termite Resistant



Fire Resistant



Water Resistant



Weather Resistant



Environmentally
Friendly



Superior Paint
Adhesion



High Workability



Aesthetically
Pleasing



50 Years
Durability

For more information, please contact us at:



SAINT-GOBAIN PRIMA SDN BHD (579898-W)
Level 19, Tower 5, Avenue 7 The Horizon,
Bangsar South City, No. 8, Jalan Kerinchi,
59200 Kuala Lumpur, Malaysia

General Line 1: +603 7781 1977 | General Line 2: +6012 781 1797

www.primafibrecement.com | www.saint-gobain.my

[f](#) [in](#) [v](#) [t](#) [@](#) [+](#) saintgobainprima