

# BaseLine®

*A standard gypsum plasterboard with ivory face paper universally used for wall partitions, wall linings and ceiling systems.*



BaseLine® is non-combustible and has superior thermal insulation.

Gyproc BaseLine® is smooth and level, giving a beautiful appearance ideal for interior walls and ceilings.



## CHARACTERISTICS

A standard gypsum plasterboard, consisting of an aerated gypsum core encased in, and firmly bonded to stronger paper liners.

## RECOMMENDED USE

Suitable for most applications where fire, structural and acoustic levels are specified and designed for all direct decoration.

## PRODUCT FORMAT

Thickness	12.5mm	15mm
Nominal Weight	7.60kg/m <sup>2</sup>	10.00kg/m <sup>2</sup>
Nominal Sheet Size	1220mm x 2440mm	
Edge Type	<b>Recessed Edge</b> 	<b>Square Edge</b> 

## FIRE RATING

- Non-combustible material in accordance to BS 476: Part 4
- Low fire propagation in accordance to BS 476: Part 6
- Class 1 surface spread of flame in accordance to BS 476: Part 7
- Classified as Class 0 material in accordance to BS 476: Part 6 & 7
- Complete GypWall system able to provide up to 1 hour fire rating in accordance to BS 476: Part 22

## MANUFACTURING SPECIFICATIONS

- In compliance with ASTM C1396M and BS EN 520

## AESTHETIC PROPERTIES

- Crack-free
- Easily decorated with paint, cornices, tiles, wallpaper, etc.
- Seamless and smooth finishing

## HANDLING AND WORKABILITY

- Lightweight
- Quick and easy installation
- Highly flexible in creating the highest standards of design

## HEALTH AND ENVIRONMENTAL CONTRIBUTIONS

- Made from 100% natural gypsum
- Recyclable material, hence environmentally friendly and certified with Green Product Certification Scheme
- Does not produce toxic fumes or hazardous substances that are harmful to health
- Product is manufactured in a facility certified to standards of ISO 14001, ISO 45001

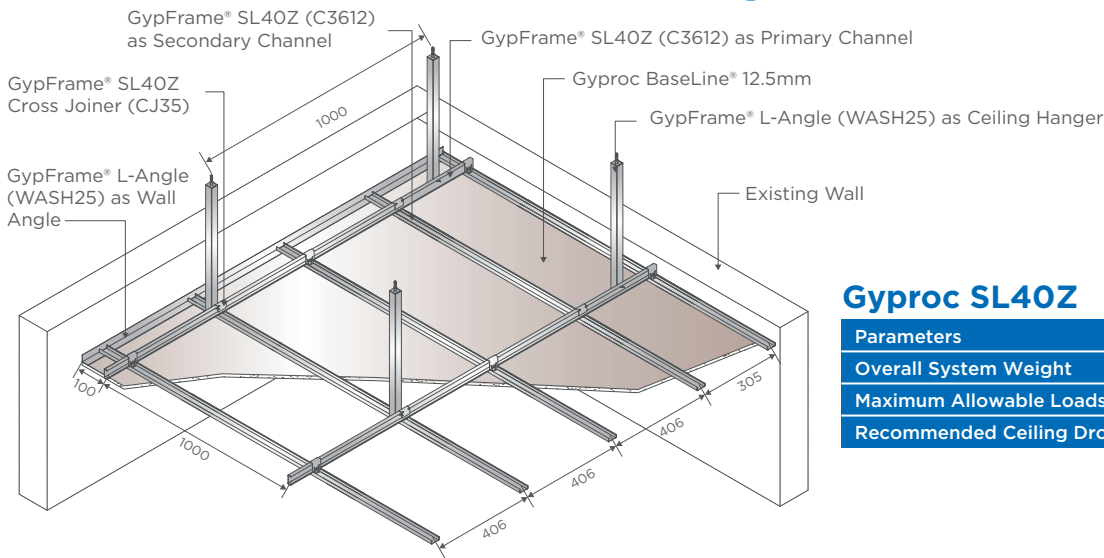
## QUALITY ASSURANCE

- Product is manufactured in a facility certified to ISO 9001



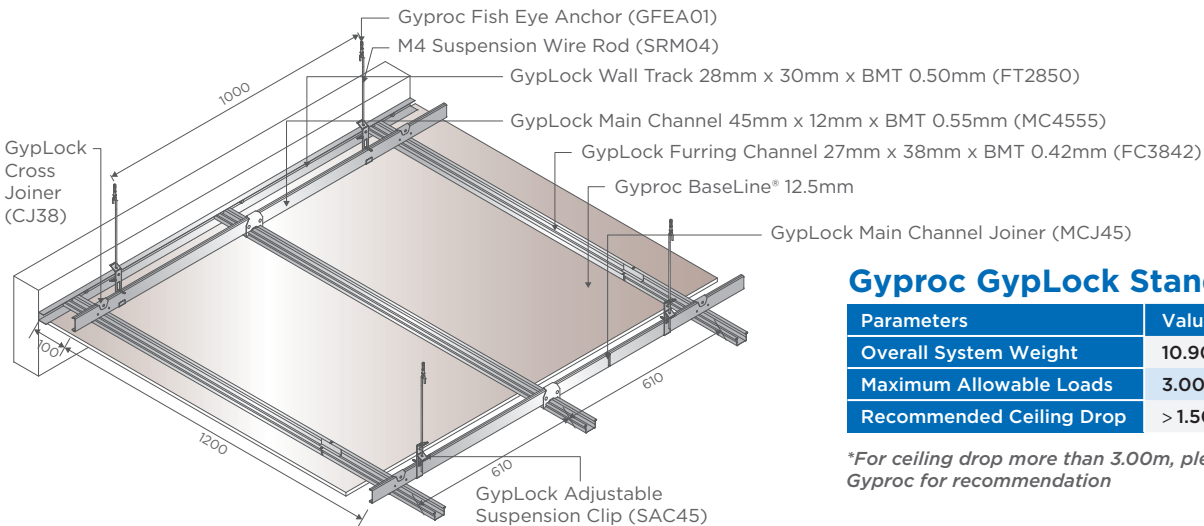
A concealed suspended ceiling system that gives a beautiful, homogeneous appearance, smooth finish without visible joints.

## Gyproc CLASSIC Concealed Ceiling System



### Gyproc SL40Z

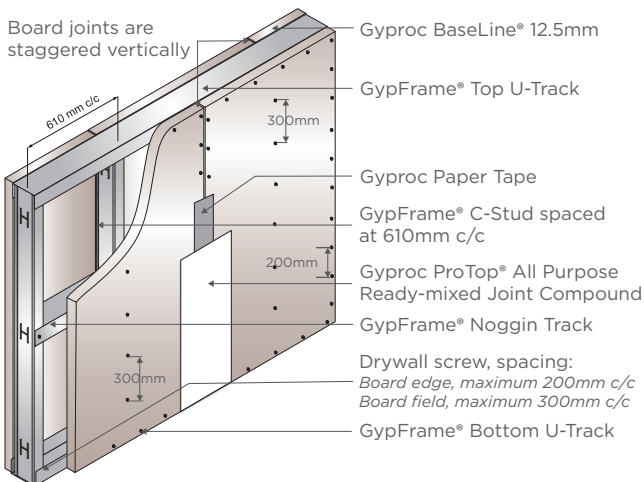
Parameters	Values
Overall System Weight	9.90kg/m <sup>3</sup>
Maximum Allowable Loads	3.00kg/m <sup>2</sup>
Recommended Ceiling Drop	≤ 1.50m



### Gyproc GypLock Standard

Parameters	Values
Overall System Weight	10.90kg/m <sup>3</sup>
Maximum Allowable Loads	3.00kg/m <sup>2</sup>
Recommended Ceiling Drop	> 1.50m up to 3.00m

\*For ceiling drop more than 3.00m, please contact Gyproc for recommendation



## Gyproc CLASSIC Wall System

A seamless partition system meeting basic functional requirements.

### GypWall® CLASSIC

Partition Duty

Achieve medium duty rating in accordance to BS 5234:Part 2

**Disclaimer:**  
The images provided are for reference only. Kindly obtain confirmation from Gyproc's Technical Support Personnel before submission of specification for any project. The information in this literature is accurate at the time of publishing. The publisher reserves all rights to revise the product specifications without prior notice. It is the user's responsibility to ensure that the information communicated here is current before use and that the information provided here is for guidance only. Users must ensure that they are fully conversant with the products and systems before specification or installation.



SAINT-GOBAIN MALAYSIA SDN. BHD. ( 636775-T )  
No 1 Jalan Sultan Mohamad 4,  
Kawasan Perindustrian Bandar Sultan Seleiman,  
42000 Port Klang, Selangor D E, Malaysia.  
+603 3169 5588 +603 3169 5588  
www.gyproc.my



SAINT-GOBAIN (SINGAPORE) PTE. LTD.  
2 Venture Drive,  
#13-18 Vision Exchange,  
Singapore 608526.  
+65 6330 8288 +65 6330 8289  
www.gyproc.sg

