

BaseLine®

A standard gypsum plasterboard with ivory face paper for wall partitions, wall linings and ceiling systems.



LEADER
SGBP 3380

BaseLine® is a standard gypsum board that contains non-combustible material with excellent thermal insulation characteristics.

As for aesthetics, BaseLine® has a smooth and levelled surface that lends it a beautiful appearance hence making it ideal for interior walls and ceilings.



CHARACTERISTICS

Standard gypsum plasterboard with an aerated gypsum core encased in, and firmly bonded to durable paper liners.

RECOMMENDED USE

Suitable for applications where fire, structural and acoustic levels are specified and designed for direct decoration.

PRODUCT FORMAT

Thickness	12.5mm	15mm
Nominal Weight	7.60kg/m ²	10.00kg/m ²
Nominal Sheet Size	1220mm x 2440mm	
Edge Type	Recessed Edge	Square Edge
		

FIRE RATING

- Non-combustible in accordance to BS 476: Part 4
- Low fire propagation in accordance to BS 476: Part 6
- Class 1 surface spread of flame in accordance to BS 476: Part 7
- Classified as Class 0 material in accordance to BS 476: Part 6 & 7
- Complete GypWall system providing up to 1 hour fire rating in accordance to BS 476: Part 22

MANUFACTURING SPECIFICATIONS

- In compliance with ASTM C1396M and BS EN 520

AESTHETIC PROPERTIES

- Crack-free
- Easily decorated with paint, cornices, tiles, wallpaper, etc.
- Seamless and smooth finishing

HANDLING AND WORKABILITY

- Lightweight
- Quick and easy installation
- Highly flexible in creating the highest standards of design

HEALTH AND ENVIRONMENTAL CONTRIBUTIONS

- Made from 100% natural gypsum
- Recyclable material, environmentally friendly
- Green-labelled product endorsed by the Singapore Green Building Council
- Does not produce toxic fumes or hazardous substances that are harmful to health

QUALITY ASSURANCE

- Product is manufactured in a facility certified to ISO 14001, ISO 45001, ISO 9001



FIRE PROTECTION



ENERGY EFFICIENCY



ECO FRIENDLY



PRODUCTIVITY GAIN



STABILITY



RECYCLING CERTIFIED



SMOOTH MANUAL FINISH



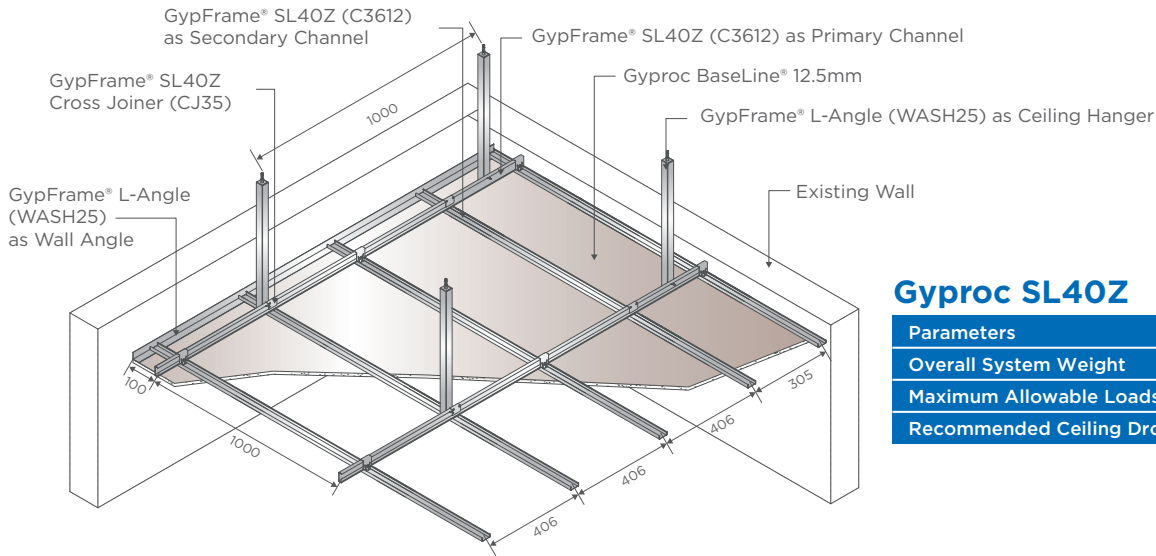
INSPIRING SPACES



AESTHETIC & DESIGN

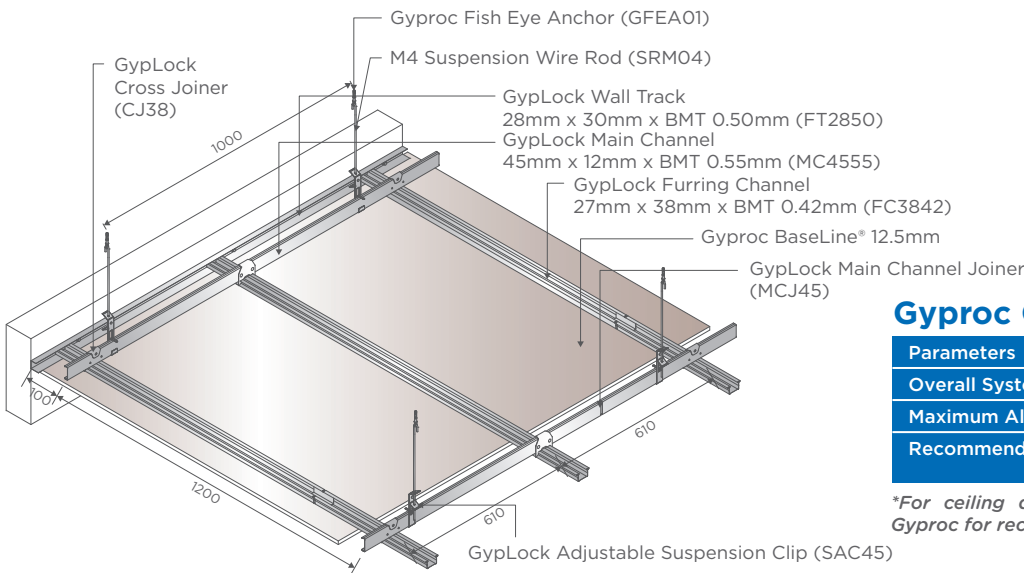
A concealed suspended wall and ceiling system that provides a beautiful and smooth finish without visible joints.

Gyproc Classic Concealed Wall & Ceiling System



Gyproc SL40Z

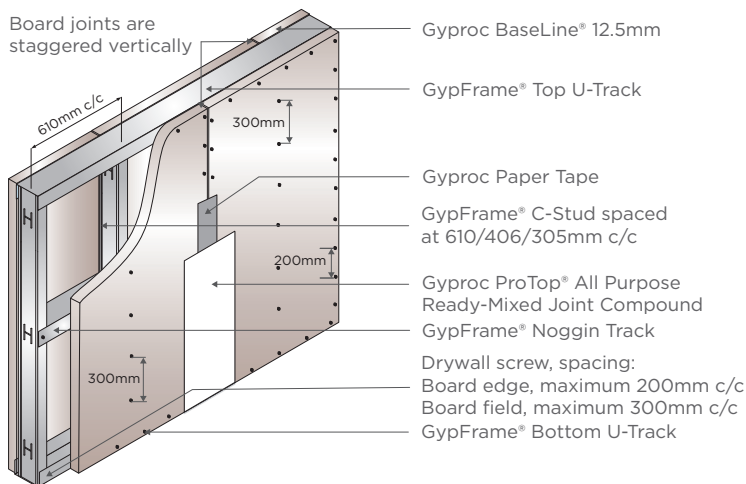
Parameters	Values
Overall System Weight	9.80kg/m ²
Maximum Allowable Loads	3.00kg/m ²
Recommended Ceiling Drop	≤ 1.50m



Gyproc GypLock Standard

Parameters	Values
Overall System Weight	10.20kg/m ²
Maximum Allowable Loads	3.00kg/m ²
Recommended Ceiling Drop	>1.50m up to 3.00m

*For ceiling drops exceeding 3.00m, please contact Gyproc for recommendations.



GypWall® CLASSIC

Partition Duty

Achieve medium duty rating in accordance to BS 5234: Part 2

Disclaimer:

The images provided are for reference only. Kindly obtain confirmation from Gyproc's Technical Support Personnel before submission of specification for any project. The information in this literature is accurate at the time of publishing. The publisher reserves all rights to revise the product specifications without prior notice. It is the user's responsibility to ensure that the information communicated here is current before use and that the information provided here is for guidance only. Users must ensure that they are fully conversant with the products and systems before specification or installation.



SAINT-GOBAIN MALAYSIA SDN. BHD. (636775-T)
 No 1 Jalan Sultan Mohamad 4,
 Kawasan Perindustrian Bandar Sultan Suleiman,
 42000 Port Klang, Selangor D E, Malaysia.
 +603 3169 5588 +603 3169 5688
www.saint-gobain.my



SAINT-GOBAIN (SINGAPORE) PTE. LTD.
 2 Venture Drive,
 #13-18 Vision Exchange,
 Singapore 608526.
 +65 6330 8288 +65 6330 8289
www.saint-gobain.sg

